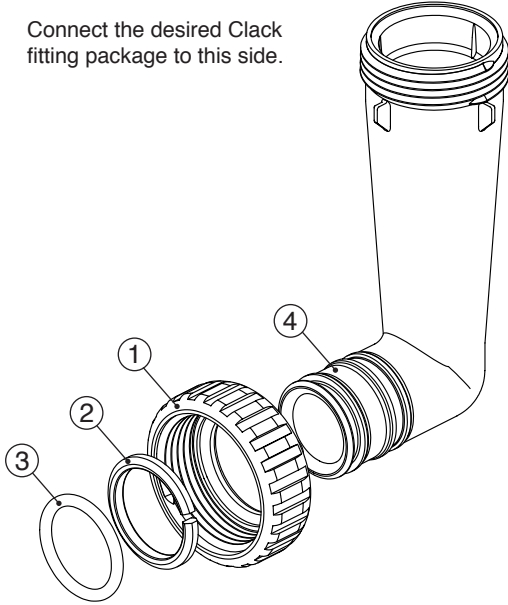


**Clack Order No. V3191-01**  
**Description: WS1 Bypass Vertical Adapter Assembly**

Drawing No.	Order No.	Description	Quantity
1	V3151	WS1 Nut 1" Quick Connect	2
2	V3150	WS1 Split Ring	2
3	V3105	O-Ring 215	2
4	V3191	WS1 Bypass Vertical Adapter	2

Connect the desired Clack fitting package to this side.

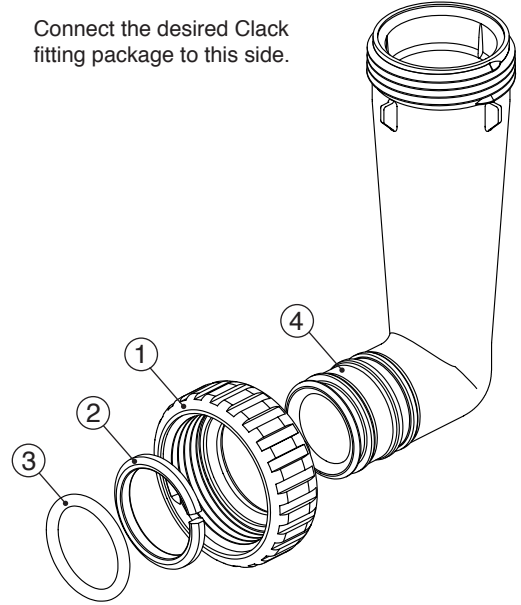


Form No. V3115-09 • 9/21/2021

**Clack Order No. V3191-01**  
**Description: WS1 Bypass Vertical Adapter Assembly**

Drawing No.	Order No.	Description	Quantity
1	V3151	WS1 Nut 1" Quick Connect	2
2	V3150	WS1 Split Ring	2
3	V3105	O-Ring 215	2
4	V3191	WS1 Bypass Vertical Adapter	2

Connect the desired Clack fitting package to this side.

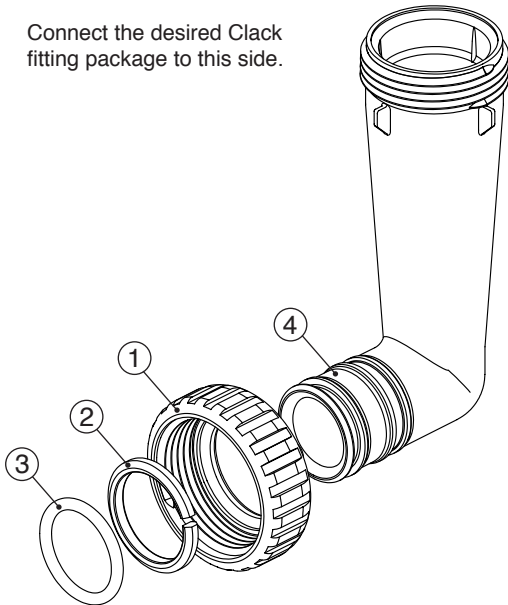


Form No. V3115-09 • 9/21/2021

**Clack Order No. V3191-01**  
**Description: WS1 Bypass Vertical Adapter Assembly**

Drawing No.	Order No.	Description	Quantity
1	V3151	WS1 Nut 1" Quick Connect	2
2	V3150	WS1 Split Ring	2
3	V3105	O-Ring 215	2
4	V3191	WS1 Bypass Vertical Adapter	2

Connect the desired Clack fitting package to this side.

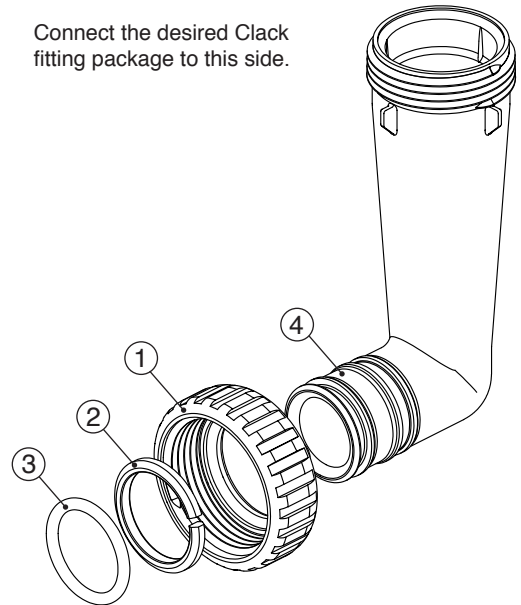


Form No. V3115-09 • 9/21/2021

**Clack Order No. V3191-01**  
**Description: WS1 Bypass Vertical Adapter Assembly**

Drawing No.	Order No.	Description	Quantity
1	V3151	WS1 Nut 1" Quick Connect	2
2	V3150	WS1 Split Ring	2
3	V3105	O-Ring 215	2
4	V3191	WS1 Bypass Vertical Adapter	2

Connect the desired Clack fitting package to this side.



Form No. V3115-09 • 9/21/2021

**Clack Order No. V3191-01**

**Description: WS1 Bypass Vertical Adapter Assembly**

HYDROCARBONS SUCH AS VASELINE®, PETROLEUM JELLY, KEROSENE, BENZENE, GASOLINE, ETC., WILL DAMAGE PRODUCTS THAT CONTAIN O-RINGS OR PLASTIC COMPONENTS. EXPOSURE TO SUCH HYDROCARBONS MAY CAUSE THE PRODUCTS TO LEAK. DO NOT USE CLACK CONTROL VALVE PRODUCT(S) ON WATER SUPPLIES THAT CONTAIN HYDROCARBONS SUCH AS KEROSENE, BENZENE, GASOLINE, ETC.

**Bypass Vertical Adapter Fitting  
Installation Instructions:**

- Bypass vertical adapter fittings are designed to accommodate minor plumbing misalignments but are not designed to support the weight of a system or the plumbing.
- Slide nut on first, then the split ring and the o-ring.
- Hand tighten the nut only.



This product is Tested and Certified by NSF International against NSF/ANSI 44 for material and structural integrity requirements and NSF/ANSI/CAN Standard 61 for material requirements. Certified to NSF/ANSI/CAN 372.

Form No. V3115-09 • 9/21/2021

**Clack Order No. V3191-01**

**Description: WS1 Bypass Vertical Adapter Assembly**

HYDROCARBONS SUCH AS VASELINE®, PETROLEUM JELLY, KEROSENE, BENZENE, GASOLINE, ETC., WILL DAMAGE PRODUCTS THAT CONTAIN O-RINGS OR PLASTIC COMPONENTS. EXPOSURE TO SUCH HYDROCARBONS MAY CAUSE THE PRODUCTS TO LEAK. DO NOT USE CLACK CONTROL VALVE PRODUCT(S) ON WATER SUPPLIES THAT CONTAIN HYDROCARBONS SUCH AS KEROSENE, BENZENE, GASOLINE, ETC.

**Bypass Vertical Adapter Fitting  
Installation Instructions:**

- Bypass vertical adapter fittings are designed to accommodate minor plumbing misalignments but are not designed to support the weight of a system or the plumbing.
- Slide nut on first, then the split ring and the o-ring.
- Hand tighten the nut only.



This product is Tested and Certified by NSF International against NSF/ANSI 44 for material and structural integrity requirements and NSF/ANSI/CAN Standard 61 for material requirements. Certified to NSF/ANSI/CAN 372.

Form No. V3115-09 • 9/21/2021

**Clack Order No. V3191-01**

**Description: WS1 Bypass Vertical Adapter Assembly**

HYDROCARBONS SUCH AS VASELINE®, PETROLEUM JELLY, KEROSENE, BENZENE, GASOLINE, ETC., WILL DAMAGE PRODUCTS THAT CONTAIN O-RINGS OR PLASTIC COMPONENTS. EXPOSURE TO SUCH HYDROCARBONS MAY CAUSE THE PRODUCTS TO LEAK. DO NOT USE CLACK CONTROL VALVE PRODUCT(S) ON WATER SUPPLIES THAT CONTAIN HYDROCARBONS SUCH AS KEROSENE, BENZENE, GASOLINE, ETC.

**Bypass Vertical Adapter Fitting  
Installation Instructions:**

- Bypass vertical adapter fittings are designed to accommodate minor plumbing misalignments but are not designed to support the weight of a system or the plumbing.
- Slide nut on first, then the split ring and the o-ring.
- Hand tighten the nut only.



This product is Tested and Certified by NSF International against NSF/ANSI 44 for material and structural integrity requirements and NSF/ANSI/CAN Standard 61 for material requirements. Certified to NSF/ANSI/CAN 372.

Form No. V3115-09 • 9/21/2021

**Clack Order No. V3191-01**

**Description: WS1 Bypass Vertical Adapter Assembly**

HYDROCARBONS SUCH AS VASELINE®, PETROLEUM JELLY, KEROSENE, BENZENE, GASOLINE, ETC., WILL DAMAGE PRODUCTS THAT CONTAIN O-RINGS OR PLASTIC COMPONENTS. EXPOSURE TO SUCH HYDROCARBONS MAY CAUSE THE PRODUCTS TO LEAK. DO NOT USE CLACK CONTROL VALVE PRODUCT(S) ON WATER SUPPLIES THAT CONTAIN HYDROCARBONS SUCH AS KEROSENE, BENZENE, GASOLINE, ETC.

**Bypass Vertical Adapter Fitting  
Installation Instructions:**

- Bypass vertical adapter fittings are designed to accommodate minor plumbing misalignments but are not designed to support the weight of a system or the plumbing.
- Slide nut on first, then the split ring and the o-ring.
- Hand tighten the nut only.



This product is Tested and Certified by NSF International against NSF/ANSI 44 for material and structural integrity requirements and NSF/ANSI/CAN Standard 61 for material requirements. Certified to NSF/ANSI/CAN 372.

Form No. V3115-09 • 9/21/2021